

## AUTOVALVE LINEAR AND ROTARY ACTUATORS

### PNEUMATIC CYLINDERS

#### ON-OFF OR MODULATING

FITTED TO GLOBE VALVES - GATE VALVES - DIAPHRAGM VALVES - PINCH VALVES - KNIFE GATE VALVES - MANY OTHERS  
ALSO SPECIAL APPLICATIONS



#### FEATURES:

- ◆ CORROSION PROOF BARREL
- ◆ EASY TO MAINTAIN- SIMPLE DESIGN AND CONSTRUCTION
- ◆ STAINLESS STEEL SHAFT
- ◆ POSITIVE SPRING RETURN ACTION OR DOUBLE ACTING
- ◆ SAFETY FEATURE FOR SPRING REMOVAL
- ◆ DOUBLE SEAL NOSE BUSH BEARING
- ◆ LARGE SIZE RANGE AND STROKE
- ◆ SUITABLE FOR MANY AUTOMATION APPLICATIONS



#### SIZES AVAILABLE;

80mm DIAMETER TO 550mm DIAMETER

#### STROKE;

MINIMUM PRACTICAL TO 1.0-1.5 METRE



## LARGE ROTARY ACTUATORS



UNITS MADE TO SUIT APPLICATION.

AVAILABLE WITH ACCESSORIES;  
POSITIONER  
SOLENOID VALVE  
SWITCH BOX  
AIRSET



- ◆ CORROSION PROOF BARREL
- ◆ EASY TO MAINTAIN- SIMPLE DESIGN AND CONSTRUCTION
- ◆ STAINLESS STEEL SHAFT
- ◆ POSITIVE SPRING RETURN ACTION OR DOUBLE ACTING
- ◆ SAFETY FEATURE FOR SPRING REMOVAL
- ◆ DOUBLE SEAL NOSE BUSH BEARING
- ◆ LARGE SIZE RANGE AND STROKE
- ◆ SUITABLE FOR MANY AUTOMATION APPLICATIONS

*THE RUGGED "SCOTCH YOKE" ROTARY ACTUATOR IS DESIGNED FOR HIGH OUTPUT ON LARGER VALVES. COMBINATIONS OF CYLINDER SIZES PERMIT A VARIETY OF TORQUE OUTPUT TO SUIT PARTICULAR REQUIREMENTS OF VALVES. THE SCOTCH YOKE DESIGN ALLOWS MAXIMUM TORQUE AT BEGINNING AND END OF STROKE WHEN IT IS NEEDED MOST. THE SOLID STEEL CONSTRUCTION MAKES A ROBUST UNIT FOR THE MOST DIFFICULT CONDITIONS.*

TORQUE OUT AVAILABLE FROM 25Nm TO 25000Nm.  
CONSULT SALES TEAM

AUTOVALVE CC. P O BOX 10045 ASTON MANOR 1630.  
[www.autovalve.co.za](http://www.autovalve.co.za)



## **AUTOVALVE LINEAR ACTUATORS**

Available in various diameters and strokes as well as tailor-made units, AV linear actuators are suitable for a large variety of valves both on-off and modulating applications as well as incorporating a variety of accessories such as limit switches, handwheels, solenoid valves etc. AV actuators can be supplied separately or fitted to valves.

### **LINEAR ACTUATOR FORCES**

#### **THRUST FORCES FOR DOUBLE ACTING LINEAR ACTUATORS (Kg)**

<b>MODEL</b>	<b>2 BAR</b>	<b>3 BAR</b>	<b>4 BAR</b>	<b>5 BAR</b>	<b>6 BAR</b>	<b>7 BAR</b>
AV100/DA	140	211	281	352	422	492
AV160/DA	359	540	720	901	1081	1261
AV200/DA	563	844	1126	1408	1690	1972
AV300/DA	1268	1901	2536	3169	3804	4437
AV400/DA	2253	3380	4508	5635	6762	7890

#### **THRUST FORCES FOR SPRING RETURN & AIR FAIL SAFE LINEAR ACTUATORS (Kg)**

<b>MODEL</b>		<b>SPRING</b>	<b>4 BAR</b>	<b>5 BAR</b>	<b>6 BAR</b>	<b>7 BAR</b>
AV100/20SRC	START	335	-	117	187	257
	END	235	-	17	87	157
AV160/40SRC on/off	START	791	-	443	623	803
	END	458	-	110	290	470
AV160/40SRC mod	START	433	470	651	831	1011
	END	250	287	468	648	828
AV200/65SRC on/off	START	1392	-	662	944	1226
	END	746	-	16	298	580
AV200/65SRC	START	1007	587	869	1151	1433
	END	539	119	401	683	965
AV200/100SRC on/off	START	1342	-	662	944	1226
	END	746	-	66	348	630
AV200/100SRC mod	START	971	875	1157	1439	1721
	END	251	155	437	719	1001
AV200/150SRC	START	1648	-	-	1141	1423
	END	549	-	-	42	342
AV300/100SRC	START	433	-	1856	2491	3124
	END	250	-	626	1261	1894

## **AUTOVALVE ROTARY ACTUATORS**

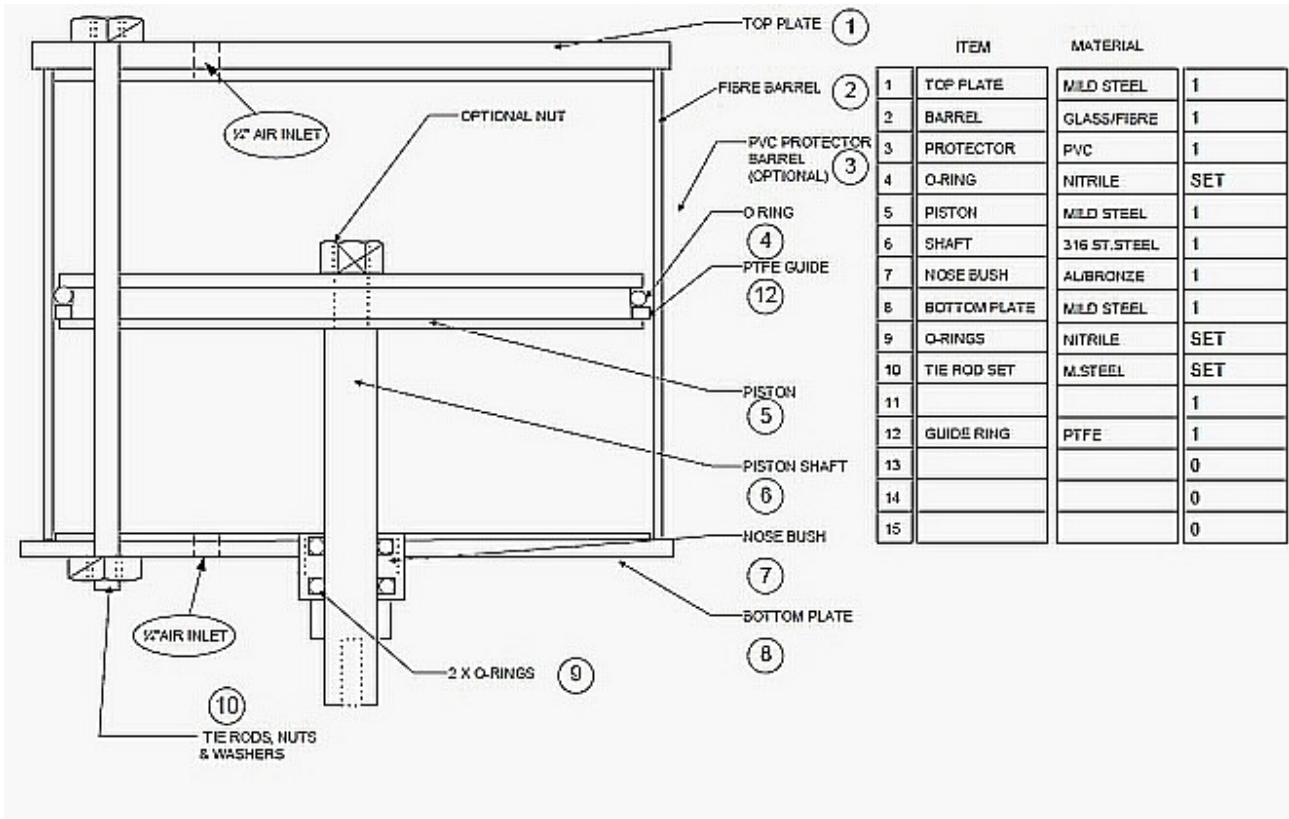
The Autovalve linear actuator is also available with a scotch yoke gearbox which converts the linear stroke into a rotary action. Depending on actuator size and leverage arm length we can accommodate a wide range of torque requirements. As with the AV linear actuators our rotary actuators are also suitable for a large variety of valves both on-off and modulating applications as well as incorporating a variety of accessories such as limit switches, handwheels, solenoid valves etc. AV rotary actuators can be supplied separately or fitted to valves.

## **ROTARY ACTUATOR FORCES**

### **THRUST FORCES FOR DOUBLE ACTING ROTARY ACTUATORS (Nm)**

<b>MODELS</b>	<b>3 BAR</b>	<b>4 BAR</b>	<b>5 BAR</b>
AVR160/65DA	159	213	266
AVR200/100DA	415	554	693
AVR300/150DA	1683	2244	2804
AVR400/150DA	2993	3989	4987
AVR300/200DA	3742	4989	6237
AVR300-300/200DA	7484	9978	12474
AVR400-400/200DA	13308	17742	22138

## AUTOVALVE ACTUATOR PARTS LIST



ITEM		MATERIAL	
1	TOP PLATE	MILD STEEL	1
2	BARREL	GLASS/FIBRE	1
3	PROTECTOR	PVC	1
4	O-RING	NITRILE	SET
5	PISTON	MILD STEEL	1
6	SHAFT	316 ST. STEEL	1
7	NOSE BUSH	ALBRONZE	1
8	BOTTOM PLATE	MILD STEEL	1
9	O-RINGS	NITRILE	SET
10	TIE ROD SET	M. STEEL	SET
11			1
12	GUIDE RING	PTFE	1
13			0
14			0
15			0