



## ALS-330N Smart Limit Switch Box

### Design

The ALS-300 Series Limit Switch Boxes have three models. One is ALS-310N (mechanical), second is ALS-320N (Proximity Sensor), and third is ALS-330N (4-20mA feedback). These kinds of limit switch box were designed through advance and state-of-the-art engineering technology which have the product to be solid, beautiful and with high-level quality. The product also fully meets IP specifications and the bracket is designed in light of ISO5211 and NAMUR standard.

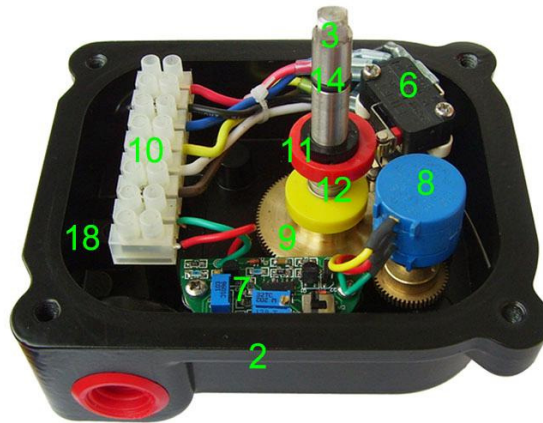
The model of ALS-330N is smart limit switch box in which Electronic Position Transmitter is designed and assembled for Industry Automation which senses mechanical position change of stem being on the valve or similar device and converses to current signal of DC 4~20mA outputs for computers or Industry Processing Control System. It is flame proof type attached internally.



### Features

1. Compact and Beautiful Design  
Aluminum die-casting housing and powder coated
2. Multiview visual Position Indicator  
Secure waterproof, multi-angles visual valve positions involving top and side view
3. "Quick-Set" Cam  
Spring loaded splined cam. No need to adjust again after initial setting and Easy setting without tool
4. Multipoint terminal strip  
Standard 8 points and enough strips for connection(10 points for optional)
5. Dual cable entries  
2×G1/2 (Standard) and M20×1.5, NPT1/2(Optional)
6. Captive cover bolts  
No worry to loose bolts while cover opens
7. Easy mounting  
NAMUR standard steel plate or stainless steel (optional) shaft and bracket

## Structure and Material



<b>No.</b>	<b>Part Name</b>	<b>Qty.</b>	<b>Material/Spec.</b>
1	Box Cover	1	Aluminum Die Casting
2	Box Body	1	Aluminum Die Casting
3	Shaft	1	Stainless Steel
4	Indicator Cover	1	Polycarbonate
5	Indicator	1	ABS/Polycarbonate
6	Limit Switch	2	Mechanical (Proximity Sensor)
7	Position Transmitter	1	PCB
8	Potentiometer	1	5K ohm(3600 degree)
9	Gears	2	Bronze
10	Terminal Strip	8	Polycarbonate Tin Plated Brass Stainless Steel
11	Cam	2	Polycarbonate
12	Spring	1	Stainless Steel
13	Cover Bolts	4	Stainless Steel
14	Shaft O-ring	2	NBR
15	Housing O-ring	1	NBR
16	Indicator O-ring	1	NBR
17	Bushing	2	Bronze
18	Earth Lug	1	Stainless Steel
19	E-ring	2	Stainless Steel

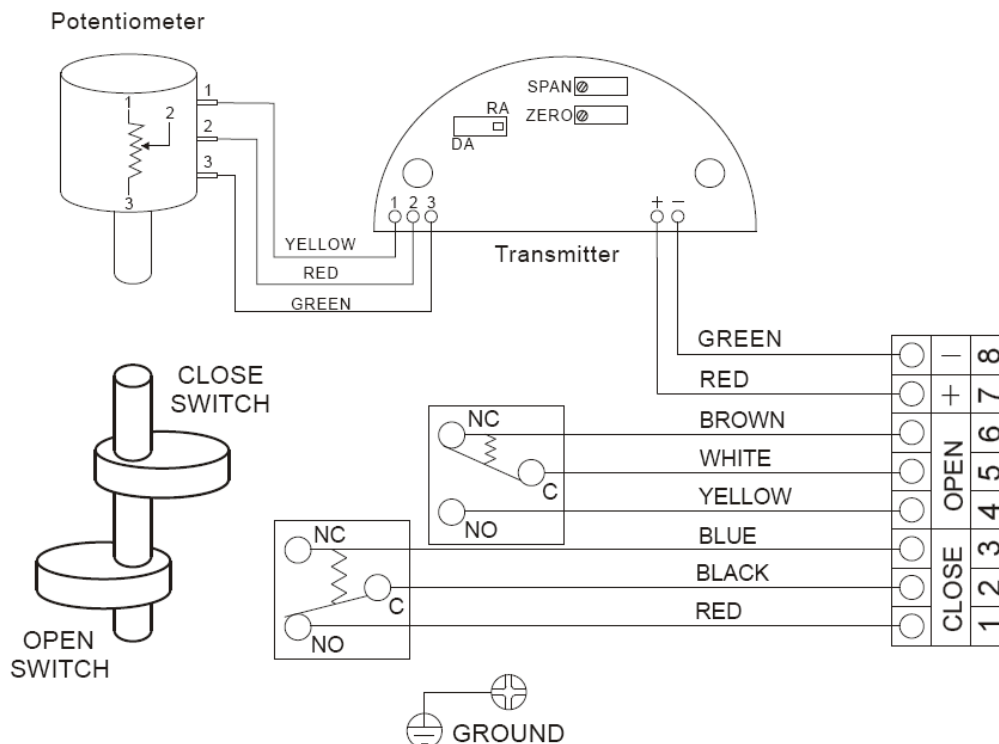


## Specification

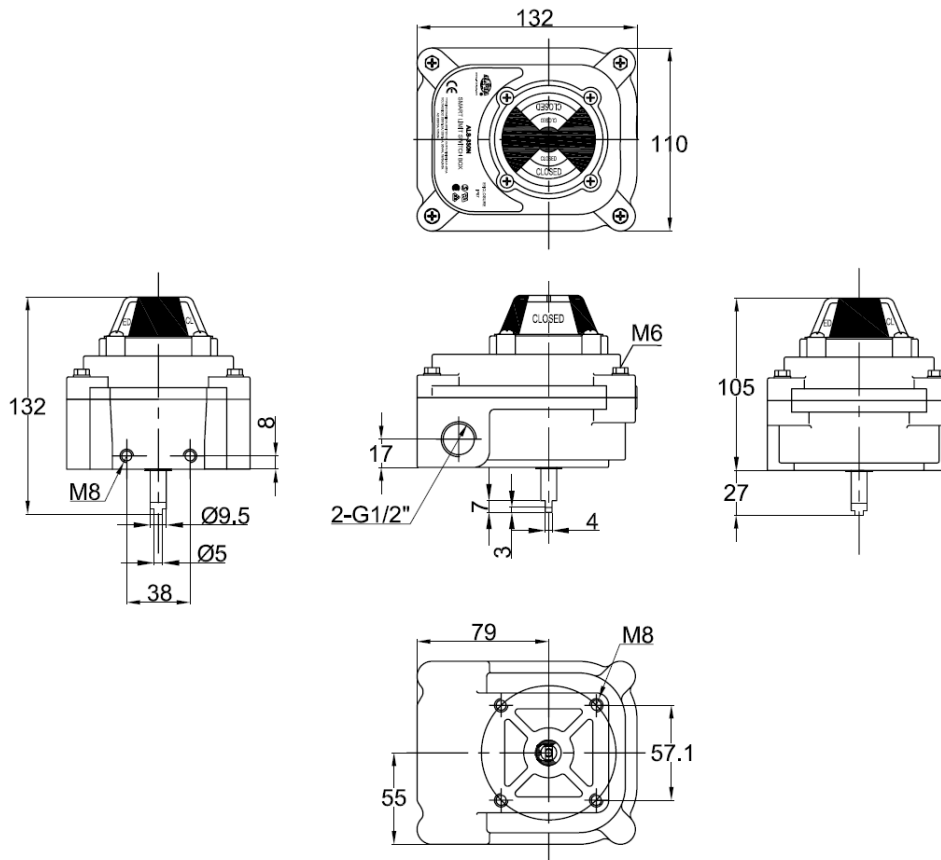
<b>Limit switch Box (ALS-330N)</b>		<b>Position Transmitter(PT)</b>	
Description	Technical Data	Description	Technical Data
Weather proof	IP67	Input type	2Wire
Temperature Range	-20°C ~ 85°C	Input Signal	0° ~ 90°
Cable Entry	2×G1/2 (2-M20×1.5, 2×1/2NPT)	Output Signal	4-20mA DC
Terminal Strips	8 Points (9~10 Points)	Load Resistance	0~600 Ohm
Position Indicator	0~90° Open-Yellow Close-Red	Noise Range	50mVp.p
Switches	Mechanical (Proximity Sensor)	Adjustable Range	Zero : ±10% Span : 60~110%
Potentiometer	5K ohm	Protection	IP66
Multiview visual position Indicator: multi-angles visual valve positions involving top and side view.		Linearity	±1%
		Sensitivity	±0.2%
		Hysteresis	0.002
		Supply Voltage	15~30V DC
		Explosion Proof	Non-Explosion

## Wiring

### WIRING DIAGRAM



## Dimension



## Mounting Bracket

Model	Picture	Material	Application
MB-3.0		Steel plate	30×80 H:20~30
		Stainless steel	
MB-3.1		Steel plate	30×130 H:30~50
		Stainless steel	

